

LED High/Low Beam Headlight 5.75" Round (PAR 46)



Long life LED technology
for 40 000 hours of use.

Product List

-Model Number: 398-300-1132
5.75" Round (PAR 46) LED Headlight

General Specifications

-Glass
-Housing Material: Cast Aluminum

Standard Compliance

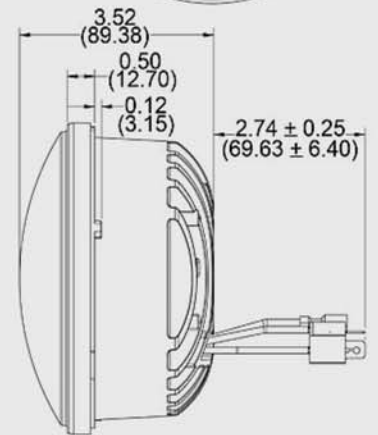
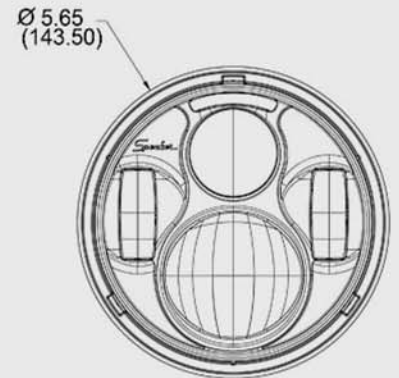
-Sealed to IP67
-DOT Approved
-FMVSS 108 Compliant

Features & Benefits

-Effective Lumen Output: 600(Low Beam)
; 650 (High Beam)
-Replaces PAR 46 Lights
-Solid-state LEDs can withstand shock and vibration
-Durable glass lens designed to handle all weather conditions
-Low profile mount

Additional Information

-12/24VDC Input
- 2.00 @ 12 VDC
- 1.00 Amps @ 24VDC



Dimensions in inches (mm in parentheses).
Dimensions are for reference only.

For More Information Contact TDG Transit Design Group

www.tdgdesign.com
tel: 1.888.248.0666
fax: 905.608.9984