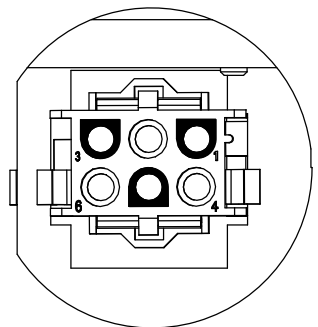
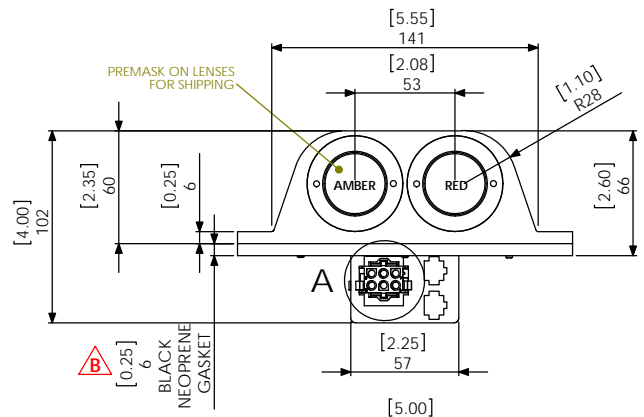
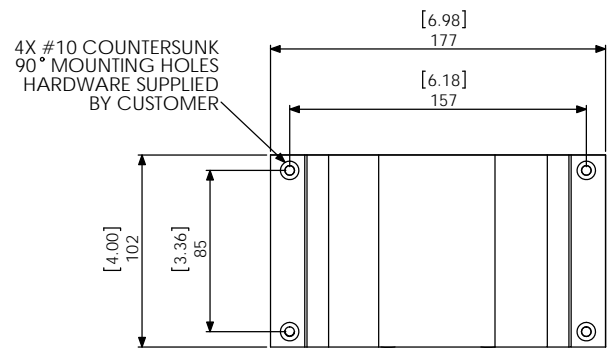
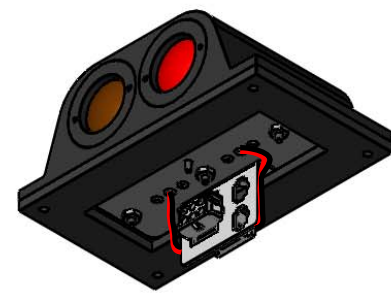
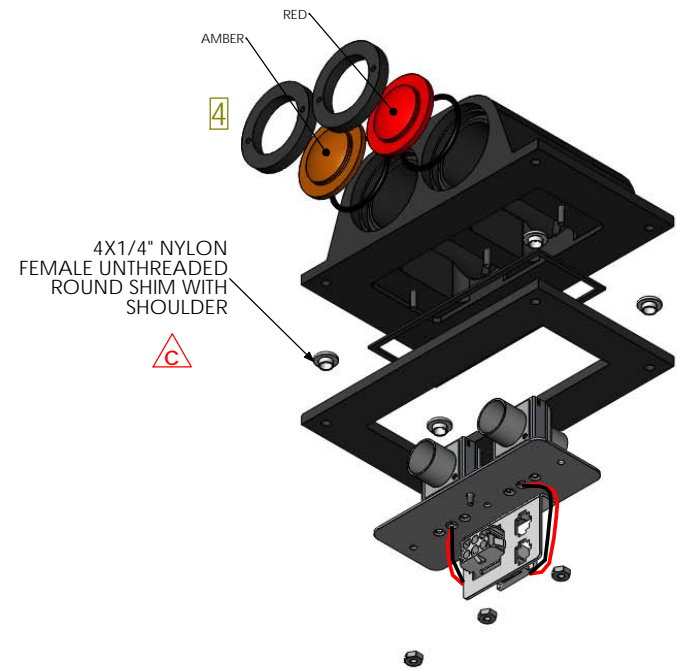
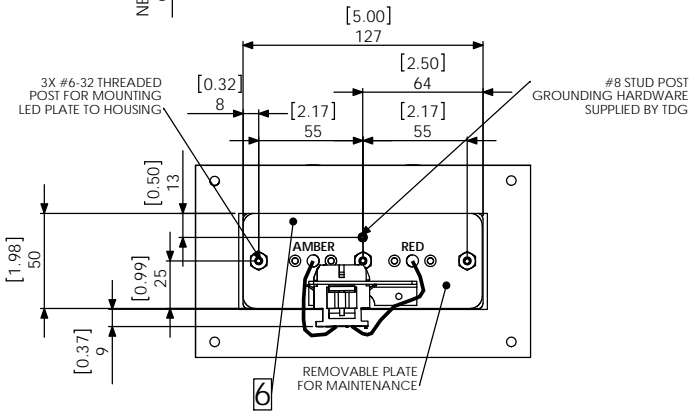


REVISIONS			
REV.	DESCRIPTION	BY	DATE
A	INITIAL RELEASE	M.M.	NOV 3 2010
B	CHANGED GASKET THICKNESS TO 0.250" FROM 0.125"	M.M.	NOV 5 2010
C	ADDED SHIMS, ADDED NOTE 5	MSC	JAN 20 2011



DETAIL A
SCALE 2 : 1



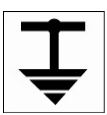
NOTES:

1. WEIGHT: 2.0LBS
2. VOLTAGE AND CURRENT DRAW: RED/AMBER-0.06 AMPS EACH +25% TO -30% @ 24VDC
3. CONNECTORS
POWER: 6 PIN INPUT
CAP AMP# 770027-1, PIN AMP# 1-770250-0
MATING PLUG AMP# 770020-1, SOCKET AMP# 1-770251-0
*POSITION 1 (RED): (+) POSITION 5: COMMONED(-), 20GA BLACK TEFLON WIRE
*POSITION 3 (AMBER): (+)
*USES 20GA RED TEFLON WIRE
4. LOCKING RING FOR LENS. TOOL FOR REMOVING RING TO BE SUPPLIED BY TDG. PART NUMBER 310-301-9999
5. FIXTURE MOUNTING TORQUE VALUE: 19INCH-LB
6. LABELS:

TDG TRANSIT DESIGN GROUP 888-248-0666
BOM # XXXXXXXXXX
TDG # XXX-XXX-XXXX
DESCRIPTION, VOLTAGE
DATE: MMMM/YYYY

TDG TRANSIT DESIGN GROUP 888-248-0666
SN#XXXXXXXX
MOD LEVEL: A B C D

HIPOT TESTED



PROPRIETARY AND CONFIDENTIAL
THE INFORMATION CONTAINED IN THIS DRAWING IS THE SOLE PROPERTY OF TDG TRANSIT DESIGN GROUP. ANY REPRODUCTION IN PART OR AS A WHOLE WITHOUT THE WRITTEN PERMISSION OF TDG TRANSIT DESIGN GROUP IS PROHIBITED.

DIMENSIONS ARE IN MILLIMETERS UNLESS OTHERWISE SPECIFIED		NAME	DATE
0 - 100 DR - 2 (DTP) - 1 (B) (DTP)	ANGULAR 1°	DRAWN	NOV 03 2010
100 - 300 DR 130° - 1 (B) (DTP)		CHECKED	JAN 20 2011
300 - 1000 DR 130° - 1 (B) (DTP)		ENG APPR	JAN 20 2011
1000 - 3000 DR 130° - 1 (B) (DTP)		MFG APPR	JAN 20 2011
WEIGHT: 47%		C.A.	
ISSUING ALUMINUM			
100 PLATE FINISH COLOR: 9001 (BLACK)			
ALUMINUM			
100 PLATE FINISH COLOR: 9001 (BLACK)			
100 PLATE FINISH COLOR: 9001 (BLACK)			
100 PLATE FINISH COLOR: 9001 (BLACK)			
DO NOT SCALE DRAWINGS			



EXTERIOR RED/AMBER INDICATOR LIGHT, 24VDC

ASSEMBLY		REV
PART NO.	399-378-0024	REV
DWG. NO.	399-378-0	C
SCALE 1:2	WEIGHT	SHEET 1 OF 1